

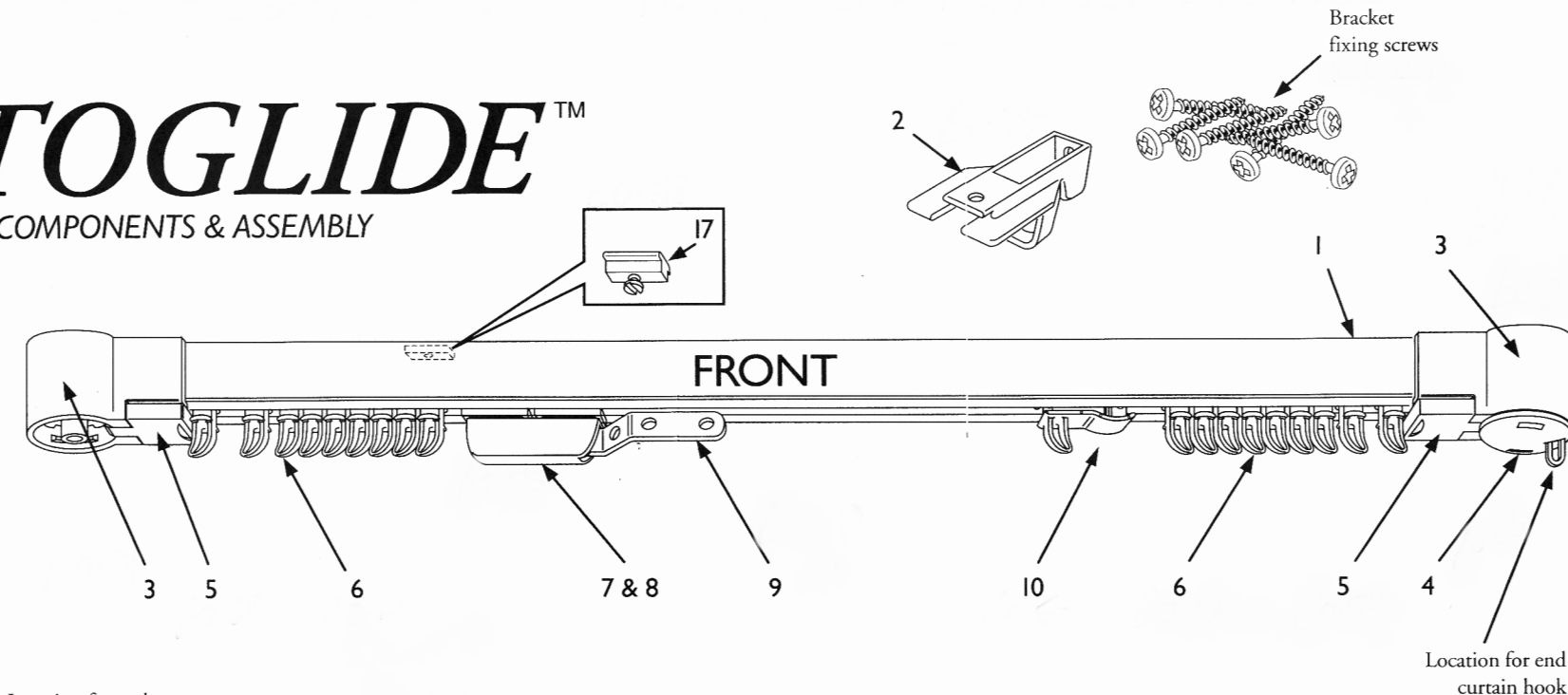
Swish.

AUTOGLIDE™

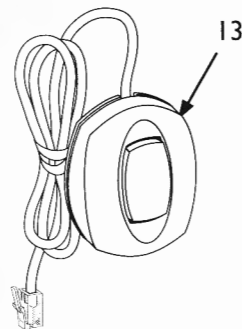
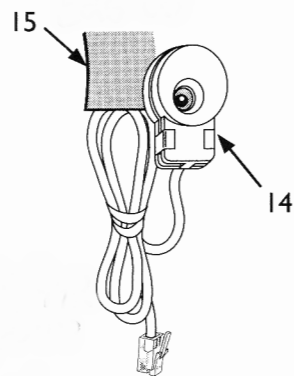
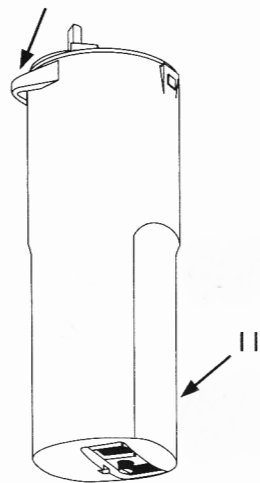
COMPONENTS & ASSEMBLY

A few minutes spent familiarising yourself with these components will save you time when carrying out the installation.

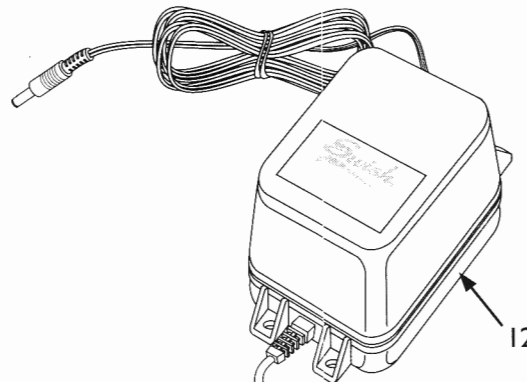
- 1 TRACK
- 2 BRACKET
- 3 PULLEY HOUSING
- 4 BLANKING PLATE
- 5 LOCKING PLATE
- 6 GLIDER
- 7 FIXED CARRIER
- 8 FIXED CARRIER COVER
- 9 OVERLAP ARM
- 10 FLOATING CARRIER
- 11 MOTOR UNIT
- 12 TRANSFORMER
- 13 OVERRIDE SWITCH
- 14 LIGHT SENSOR
- 15 ADHESIVE PAD
- 16 CABLE CLIPS
- 17 STACK BACK STOP (INSIDE TRACK)



Location for end curtain hooks



Low voltage supply



Mains supply

